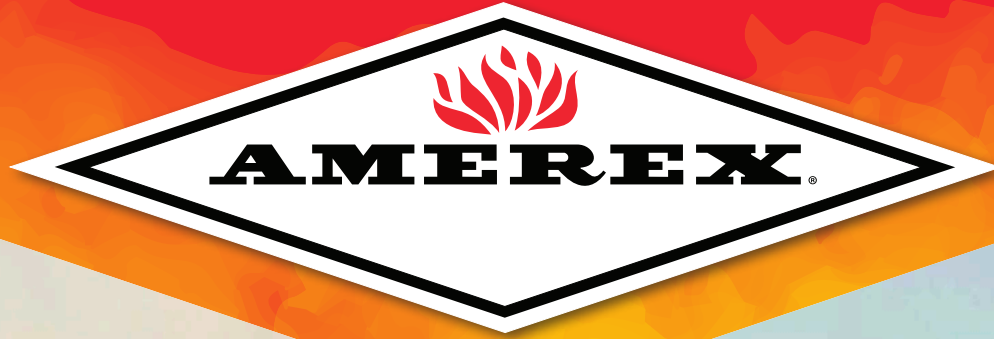


# HAND-PORTABLE FIRE EXTINGUISHERS




Quality is Behind the Diamond®



## PORTABLE FIRE EXTINGUISHERS FROM AMEREX



Amerex portable fire extinguishers have been the industry standard for more than 50 years. Since 1971, our commitment to quality, service, and innovation has been unmatched. **Quality is Behind the Diamond®**—in every product.

 At Amerex, quality is a mindset. It is the standard that drives us. Our business has grown year after year based on our products' reputation for performance and durability even in the most rugged environments. Amerex produces fire extinguishers for every application that go through quality audits at each level of production. With warehouses strategically located in Oakland, New Jersey; Elk Grove Village, Illinois; Santa Fe Springs, California; and Trussville, Alabama, our customers are assured that product lead times are at a minimum.

For more detailed product and ordering information,  
visit [webstore.amerex-fire.com](http://webstore.amerex-fire.com).

Longer life, lower cost, and the best warranty in the industry—**that's quality behind the diamond.**

All Amerex Fire Extinguishers comply with the recommendations of the **National Fire Protection Association** and are tested and rated by **Underwriters Laboratories** or **FM Global** to **UL Standards**. All extinguisher nameplates contain the necessary HMIS information to comply with national and local OSHA requirements.





# WHERE TO USE

Amerex manufactures a variety of hand-portable and wheeled fire extinguishers, both “compliance” (code required) and “specialty” types.

“Compliance” extinguishers are designed to meet and exceed state or local fire protection requirements. “Specialty” extinguishers are intended for use on particular types of hazards, so they should be placed in close proximity to the specific hazard they are meant to protect. It is natural for a person to use the extinguisher located nearest to a fire. The most current issue of NFPA-10 should be consulted for minimum recommended fire extinguisher types, placement, and travel distances. Your

local Amerex Fire Equipment Distributor is professionally equipped to evaluate and implement these recommendations. All “Pictograms” are detailed below and should be reviewed with all who might be expected to use a fire extinguisher. Everyone should be familiar with these picture symbols that identify the types of fires on which they may be used. The international sign system diagonal red slash indicates a potential danger if the extinguisher is used on that particular type of fire hazard.

CLASSES OF FIRE			
<b>Class A</b>	Ordinary combustibles	Wood, paper, rubber, fabrics, and many plastics	
<b>Class B</b>	Flammable liquids & gases	Gasoline, petroleum greases, tars, oils, oil-based paints, solvents, alcohols, propane, and butane	
<b>Class C</b>	Live electrical equipment	Fires involving live electrical equipment	
<b>Class D</b>	Combustible metals or combustible metal alloys	Magnesium, titanium, zirconium, sodium, lithium, and potassium	
<b>Class K</b>	Fires in cooking appliances that involve combustible cooking media	Cooking oils and animal fats	

Types of Extinguishers	
<b>Class A</b>	
<b>Class A:B</b>	
<b>Class A:B:C</b>	
<b>Class A:C</b>	
<b>Class B:C</b>	
<b>Class D</b>	
<b>Class A:K</b>	

# HOW TO USE

All Amerex extinguishers are furnished with a detailed “Owner’s Manual” containing valuable information on the installation, use, and maintenance of the extinguisher. The extinguisher nameplate contains specific information on “HOW TO USE” the particular extinguisher. The

label instructions vary slightly according to type and size. Potential operators should be familiar with the instructions on any extinguisher they might be required to use.

Scan the QR code at left for a video tutorial.



# Hazard Analysis

IT IS CRITICAL TO USE THE RIGHT EXTINGUISHER FOR THE RIGHT APPLICATION

	ABC Dry Chemical	Purple K	Clean Agent	Class K Wet Chemical	Water
Fire Extinguisher Type					
Class of Fire Application	 A  B  C	 B  C	 A  B  C	 A  K	 A
Industries	<ul style="list-style-type: none"> <li>General Building Protection</li> <li>Office Buildings</li> <li>Retail Stores</li> <li>Warehouses</li> <li>Woodworking Shops</li> </ul>	<ul style="list-style-type: none"> <li>Fuel Storage</li> <li>Oil-based Paint Storage</li> <li>Paint Spray Booths</li> <li>Auto Repair Shops</li> <li>Aviation Tugs and Fueling Carts</li> </ul>	<ul style="list-style-type: none"> <li>Computer Server Rooms</li> <li>Telecommunications</li> <li>Manufacturing Facilities</li> <li>Aviation Flight lines and Maintenance Facilities</li> <li>Offices</li> </ul>	<ul style="list-style-type: none"> <li>Commercial Kitchens</li> <li>Food Trucks</li> </ul>	<ul style="list-style-type: none"> <li>Oxidizer Storage</li> <li>Pool Chemical Storage</li> </ul>

## Classes of Fire



Wood, paper, cloth, rubber, and many plastics



Gasoline, petroleum greases, tars, oils, oil-based paints, solvents, alcohols, propane, and butane



Fires involving live electrical equipment



Prepare for a fire emergency by ensuring that the right fire extinguisher for the environment is the closest one. If a fire event occurs, grab the fire extinguisher and remember the PASS method: **Pull, Aim, Squeeze, Sweep.**

Z-Series		HT Series	Water Mist	Carbon Dioxide	Class D Dry Powder
Purple K	ABC Dry Chem				
Purple K	ABC Dry Chem				
Available in Fast Flow or Compliance Flow					
<ul style="list-style-type: none"> <li>Oil and Gas Platforms</li> <li>Oil Refineries</li> <li>Mining Operations</li> <li>Coastal and Marine Environments</li> <li>Agriculture</li> <li>Industrial Climates</li> <li>Waste Management Processes</li> </ul>	<ul style="list-style-type: none"> <li>Data Server Rooms</li> <li>Telecommunications</li> <li>Clean Rooms</li> <li>Manufacturing Facilities</li> <li>Museums</li> </ul>	<ul style="list-style-type: none"> <li>Hospitals</li> <li>Museums &amp; Libraries</li> <li>Telecommunications</li> <li>Delicate Electronic Equipment</li> <li>Clean Rooms</li> <li>Auditoriums</li> <li>Convention Halls</li> <li>Pool Chemical Storage</li> </ul>	<ul style="list-style-type: none"> <li>Welding Shops</li> <li>Auto Repair Shops</li> <li>Manufacturing Facilities</li> <li>High-Voltage Electrical Distribution</li> </ul>	<ul style="list-style-type: none"> <li>Machine Shops</li> <li>Foundries</li> <li>Metal Fabrication Shops</li> <li>Heavy Industries</li> </ul>	

Magnesium, titanium, zirconium, sodium, lithium, and potassium

Cooking oils and animal fats



Quality is Behind the Diamond®

# APPLICATIONS



## HEALTHCARE

Aluminum Valve Dry Chemical, CO<sub>2</sub>,  
Clean Agent, K Class, Water Mist, Wheeled Units



## TRANSPORTATION

ABC Dry Chemical—All Varieties (OEM, Up-Fitters, Aftermarket)



## INDUSTRIAL

**Light:** Aluminum Valve Dry Chemical, Clean Agent, CO<sub>2</sub>, Class D  
**Medium:** Aluminum Valve Dry Chemical, Clean Agent, CO<sub>2</sub>, Class D  
**Heavy:** Brass Valve Dry Chemical, Z-Series, Class D, Wheeled Units



## EDUCATION

Aluminum Valve Dry Chemical, Clean Agent,  
K Class, Water Mist, CO<sub>2</sub>



## DISTRIBUTION CENTERS

Brass Valve Dry Chemical, Z-Series, Wheeled Units



## CHEMICAL

Brass Valve Dry Chemical, Z-Series, Wheeled Units



## OIL AND GAS

Brass Valve Dry Chemical, Z-Series, Wheeled Units



**Quality is Behind the Diamond®**

# Aluminum vs. Brass Valve

## FIRE EXTINGUISHERS



“COMPLIANCE” EXTINGUISHERS are designed to meet and exceed state or local fire protection requirements. “SPECIALTY” extinguishers are intended for use on particular types of hazards. Careful attention should be paid to locating them near the specific hazard they are meant to protect. It is natural for a person to use the extinguisher located nearest to a fire. The most current edition of *NFPA 10* should be consulted for fire extinguisher selection, location, installation, and maintenance procedures.

A SPECIFIC HAZARD ANALYSIS should be conducted by an authorized Amerex Distributor to determine the exact extinguisher that is needed. Below is a general application guide.

### ALUMINUM VALVE

Healthcare  
Light Industrial  
Medium Industrial  
Education Buildings  
Commercial Office  
Spaces



### BRASS VALVE

Heavy Industrial  
Distribution Centers  
Oil and Gas  
Mining Operations  
Coastal Areas  
Dusty Environments  
Agriculture  
Waste Management  
Transportation



## Why Amerex?

# 1

### QUALITY

Amerex didn't become a global market leader overnight. Our business has grown year after year based on our products' reputation for performance and durability in even the most rugged environments.

# 2

### INNOVATION

Because Amerex is independently owned and forward thinking, we are continuously innovating and investing for the benefit of our customers and those they serve.

# 3

### SERVICE

Amerex was founded on a mutual appreciation for premium quality in products, customer service, and the importance of interpersonal relations.



# WATER



**240**  
P/N 00100

**MODEL 240** utilizes the cooling, soaking, and penetrating effect of a 45- to 55-foot stream of WATER. The 55-second discharge time makes it very effective for inexperienced operators for use on Class A fires that include combustibles such as wood, cloth, paper, and many plastics. This extinguisher is constructed with a chrome-plated brass valve and polished stainless steel cylinder, which helps eliminate corrosion.

**EXTINGUISHER  
SHIPS EMPTY**



## RUGGED

- 5-Year manufacturer's warranty
- Stored-pressure design
- Polished stainless steel cylinders
- All-metal valve construction
- Exclusive crevice-free, butt-welded cylinder
- Temperature range 40°F to 120°F

## USER-FRIENDLY

- Maximum visibility during discharge
- Large loop stainless steel pull pin
- QR coded and multilingual labels

## OPTION

- Model 506B anti-freeze charge (Temperature range -40°F to 120°F)

**THE MODEL 240 MAY BE FREEZE-PROTECTED TO -40°F  
BY ADDING A MODEL 506B CHARGE**

### MANUFACTURED AND TESTED TO UL STANDARDS

COMPLIES WITH NFPA 10 STANDARD  
ISO-9001/ISO-14001 CERTIFIED  
UL LISTED

### CONFORMS TO TEST STANDARDS:

CAN/ULC-S507 - UL 626 &  
CAN/ULC-S508 - UL 711

AGENT TYPE	WATER
DESIGN	Hose & Nozzle
MODEL NUMBER	<b>240</b>
UL & ULC RATING	2A
CAPACITY	2.5 Gal
*SHIPPING WT. (LBS)	7.5
HEIGHT (IN.)	24.5
WIDTH (IN.)	9
DEPTH (IN.)	7
RANGE (INITIAL-FT)	45-55
DISCHARGE TIME (SEC.)	55
NOMINAL OPERATING PRESSURE	100 PSIG
INCLUDED BRACKET	Wall

\*Shipping weight includes box.





# WET CHEMICAL

**WET CHEMICAL** extinguishers are the best restaurant kitchen appliance hand-portable fire extinguishers you can purchase. Each model utilizes a specially blended potassium acetate base agent and has been tested and approved by UL for restaurant kitchen hazards. The recent trend to more efficient cooking appliances and use of vegetable-based cooking oils dictates the use of a hand-portable fire extinguisher with greater fire-fighting capacity and cooling effect to combat these very hot and difficult fires. The Class K is available in two sizes; 6 liter or 2½ gallon—with attractive stainless steel cylinders and easy-to-use hose-and-spray application nozzles. The superior fire-fighting capability of the Wet Chemical agent is placed exactly where you aim it with no dry chemical residue to clean up. Models C260 and C262 are the ideal “KITCHEN USE” fire extinguishers. They supplement existing cooking equipment automatic system protection for the extra margin of safety.

## RUGGED

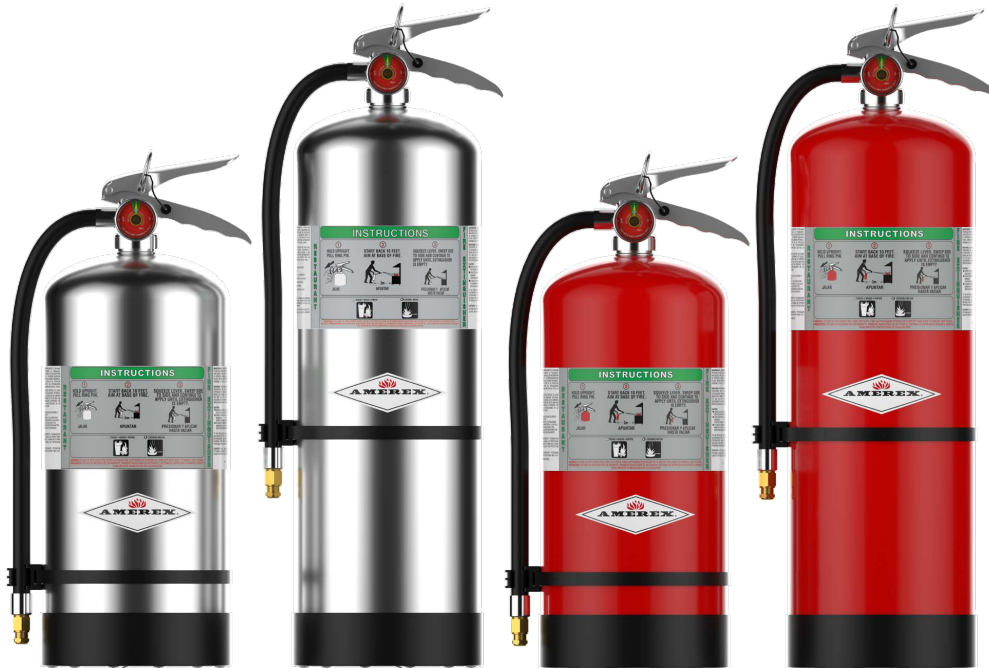
- 5-Year manufacturer’s warranty
- Stored-pressure design
- Polished stainless steel cylinders—USCG models have durable high-gloss polyester powder paint coating
- All stainless steel valve construction
- Exclusive crevice-free, butt-welded cylinder
- Tested on commercial deep-fat fryers to UL711 test protocol
- Class 2A rated to meet fire code occupancy hazard requirements
- Temperature range +40°F to 120°F

## USER-FRIENDLY

- Factory charged
- Large loop stainless steel pull pin
- Agent discharged as a fine mist—helps prevent grease splash and re-flash while cooling the appliance
- Precise extinguishing agent application
- QR coded and multilingual labels



How to use K Class Extinguisher Video Tutorial



**C260**  
P/N 27596

**C262**  
P/N 27599

**\*C260CG**  
P/N 27598

**\*C262CG**  
P/N 27600



**EXCELLENT FOR USE ON ALL COOKING APPLIANCES INCLUDING SOLID FUEL CHARBROILERS**

AGENT TYPE	WET CHEMICAL	
MODEL NUMBER	C260 / C260CG	C262 / C262CG
UL & ULC RATING	2A:K	
CAPACITY	6 Liter	2.5 Gal
*SHIPPING WT. (LBS)	22.5	33.5
HEIGHT (IN.)	19	24.5
WIDTH (IN.)	9	9
DEPTH (IN.)	7	7
RANGE (INITIAL-FT)	10-12	10-12
DISCHARGE TIME (SEC.)	53	107
NOMINAL OPERATING PRESSURE	100 PSIG	100 PSIG
INCLUDED BRACKET	Wall	Wall

\*Shipping weight includes box.

## MODELS C260CG & C262CG COAST GUARD APPROVED

**\*MUST USE 810CG BRACKET  
(sold separately)**

### MANUFACTURED AND TESTED TO UL STANDARDS

COMPLIES WITH NFPA 10 STANDARD  
ISO-9001/ISO-14001 CERTIFIED  
UL LISTED

### CONFORMS TO TEST STANDARDS:

CAN/ULC-S554 - UL 8 &  
CAN/ULC-S508 - UL 711



# WATER MIST

**WATER MIST** is the ultimate extinguisher for Class A fires and for locations where potential Class C (electrical) hazards exist. The fine spray from the unique misting nozzle provides safety from electrical shock, greatly enhances the cooling and soaking characteristics of the agent, and reduces scattering of burning materials. The Amerex Water Mist extinguishers contain deionized water (sold separately) making them the best extinguishers for protection of hospital environments, telecommunication facilities, and “clean room” manufacturing facilities. The Amerex Water Mist extinguishers are easy to use, maintain, and service.

## RUGGED

- 5-Year manufacturer’s warranty
- Stored-pressure design
- Stainless steel cylinders
- Durable high-gloss polyester powder paint
- All-metal valve construction
- Exclusive crevice-free, butt-welded cylinder
- Temperature range +40°F to 120°F

## USER-FRIENDLY

- Large loop stainless steel pull pin
- Maximum visibility during discharge
- No electrical conductivity back to the operator
- No thermal or static shock
- Minimal training—simplest to use
- Most economical agent available
- Sanitary and easy-to-clean white paint finish
- No powder residue
- QR coded and multilingual labels

## MR CONDITIONAL

- Nonmagnetic construction tested by an independent agency for use in MRI facilities to 11.7 Tesla (including wall hanger bracket)



**C270**  
P/N 27699

**C272**  
P/N 27704

**C270**  
P/N 27698

**C272**  
P/N 27702

**MODELS  
C270 & C272**  
2-pack Charges  
670 & 671 Deionized  
Water Extinguishing  
Agent Sold  
Separately

**MR** **MR CONDITIONAL**  
THIS EXTINGUISHER HAS BEEN TESTED TO OPERATE PROPERLY AND POSE NO SAFETY HAZARD IN AN MRI ENVIRONMENT ASSOCIATED WITH MR SYSTEMS OPERATING AT 11.7 TESLA OR LESS.



How to use Water Mist Extinguisher Video Tutorial

### MANUFACTURED AND TESTED TO UL STANDARDS

COMPLIES WITH NFPA 10 STANDARD  
ISO-9001/ISO-14001 CERTIFIED  
UL LISTED

### CONFORMS TO TEST STANDARDS:

CAN/ULC-S554 - UL 8 &  
CAN/ULC-S508 - UL 711

## TESTED TO 11.7 TESLA

AGENT TYPE	DEIONIZED WATER	
	C270	C272
MODEL NUMBER	C270	C272
UL & ULC RATING	2A:C	2A:C
CAPACITY	1.75 Gal	2.5 Gal
*SHIPPING WT. (LBS. EMPTY)	7	8
HEIGHT (IN.)	19	24.5
WIDTH (IN.)	9	9
DEPTH (IN.)	7	7
RANGE (INITIAL-FT.)	10-12	10-12
DISCHARGE TIME (SEC.)	72	80
REQUIRED CHARGE MODEL	670	671
NOMINAL OPERATING PRESSURE	100 PSIG	100 PSIG
INCLUDED BRACKET	NM Wall	NM Wall

\*Shipping weight includes box.







# HALOTRON® BrX (2-BTP)

**HALOTRON® BrX (2-BTP)** Amerex provides a unique solution for Halon 1211 replacement. These extinguishers utilize Halotron® BrX to fulfill the next generation of aviation extinguisher requirements. BrX has a low Global Warming Potential (GWP) and very low Ozone Depletion Potential (ODP) clean agent approved for use on commercial aircraft. The extinguishers are constructed of lightweight aluminum valves and cylinders (Model 351 uses a steel cylinder). Models 349 and 351 include a hose that allows the operator greater flexibility for utilization in tight spaces. Amerex is the solution for the aviation portable extinguisher needs.

## RUGGED

- 6-Year manufacturer's warranty
- Stored-pressure design
- Aluminum cylinders (Model 351 uses a steel cylinder)
- Durable high-gloss polyester powder paint
- All-metal valve construction
- Hose is unique to Amerex product (Models 349 and 351)

- Extinguishers are maintained in accordance with NFPA 10
- Hose provides greater access to tight spaces—offering greater flexibility when using the extinguisher (Models 349 and 351)
- Temperature range -40°F to 120°F

## FAA APPROVED

- Models 339, 347, 349 and 351 are FAA approved in accordance with DOT/FAA/AR-01/37

## HALOTRON® BrX EXTINGUISHERS HAVE A 12-YEAR SERVICE LIFE AND ARE NON-RECHARGEABLE



## USER-FRIENDLY

- Maximum visibility during discharge
- Large loop stainless steel pull pin (Model 351)
- No electrical conductivity back to the operator
- No thermal or static shock
- Leaves no residue
- QR coded and multilingual labels

## ENVIRONMENT

- EPA approved "clean agent" for Class A, B and C hazards
- Low GWP – 0.26 (100 year)
- Low ODP – 0.0028
- Short atmospheric lifetime

## LOW GWP AND VERY LOW ODP CLEAN AGENT

AGENT TYPE	HALOTRON® BrX (2-BTP)				
VALVE TYPE	Anodized Aluminum				
DESIGN	Nozzle			Hose & Nozzle	
MODEL NUMBER	A337TS	339	347TS	349TS	351
UL & ULC RATING	2B:C	5B:C	5B:C	5B:C	2A:10B:C
CAPACITY (LBS.) / (KG)	1.79 / .81	3.55 / 1.6	3.75 / 1.7	3.75 / 1.7	12.5 / 5.67
FILLED WT. (LBS.) / (KG)	3.04 / 1.38	5.1 / 2.31	5.50 / 2.49	5.75 / 2.61	19.88 / 9.02
HEIGHT (IN.) / (MM)	11.25 / 285.75	13.69 / 347.66	17.59 / 446.9	17.59 / 446.9	20.25 / 514.3
WIDTH (IN.) / (MM)	4 / 101.6	4.13 / 104.78	4 / 101.6	5.88 / 149.35	8.5 / 215.9
DEPTH (IN.) / (MM)	3.25 / 82.6	3.5 / 88.9	3.25 / 82.6	3.25 / 82.6	5 / 127
DISCHARGE TIME (SEC.)	9	8	9	9	16
RANGE (INITIAL- FT. / M)	7-8 / 2.13-2.44	11-12 / 3.35-3.66	10-12 / 3.05-3.66	10-12 / 3.05-3.66	15-17 / 4.57-5.18
MINIMUM CONFINED SPACE REQUIREMENTS (FT <sup>3</sup> / M <sup>3</sup> )	427 / 12.09	849 / 24.04	896 / 25.37	896 / 25.37	2,988 / 84.6
NOMINAL OPERATING PRESSURE	90 PSIG	100 PSIG	100 PSIG	100 PSIG	150 PSIG
FAA APPROVED MODEL	Yes	Yes	Yes	Yes	Yes
INCLUDED BRACKET	Aircraft				Wall

**MODEL 351 SHIPS WITH A WALL BRACKET.**

**MODEL 809 VEHICLE BRACKET IS SOLD SEPARATELY.**

### MANUFACTURED AND TESTED TO UL STANDARDS

COMPLIES WITH NFPA 10 STANDARD ISO-9001 AND ISO-14001 CERTIFIED UL LISTED

### CONFORMS TO TEST STANDARDS:

CAN/ULC-S508 - UL 2129 & CAN/ULC-S566 - UL 711



# HALOTRON® I



**HALOTRON® I** clean fire extinguishing agent discharges as a rapidly evaporating liquid, which is non-conductive, noncorrosive, and leaves behind no residue. Halotron® I is the clean agent market leader with a history of successful real-world protection of valuable assets. From model-scale aircraft to wide-body commercial aircraft, from data centers to pharmaceutical and other industrial plants, the Halotron® I agent has been used to extinguish the fire, limit damage, and help reduce downtime that can be caused by other agents.

Applications for these extinguishers include: data centers, laboratories, manufacturing plants, general office areas, computer rooms, telecommunication facilities, clean rooms, control rooms, warehouses, military electronics, vehicles including classic autos, boats, engine compartments, aircraft ramps, onboard aircraft, and in facilities that service aircraft and any facility where dry chemical extinguishers could cause unacceptable damage or contamination.

## RUGGED

- 6-Year manufacturer's warranty
- Stored-pressure design
- Dependable drawn-steel cylinders
- Durable high-gloss polyester powder paint
- All-metal valve construction
- Temperature range -40°F to 120°F

## USER-FRIENDLY

- Maximum visibility during discharge
- No electrical conductivity back to the operator
- No thermal or static shock
- Leaves no residue
- QR coded and multilingual labels

## ENVIRONMENT

- Low Global Warming Potential (GWP) 0.0098, CFC-11=1.0
- Low Ozone Depletion Potential (ODP)—77,100 yr. CO2 time horizon
- Short atmospheric lifetime

## OPTION

- Extinguishers are USCG approved with bracket listed on UL label
- Chrome cylinders (see chart below)

### AVAILABLE IN 65 AND 150 LB. WHEELED EXTINGUISHERS



**A384T**  
P/N 14400

**B385TS**  
P/N 15231

**B386T**  
P/N 15271

**B394TS**  
P/N 16330

**397**  
P/N 15509

**398**  
P/N 15510

### ALUMINUM VALVE



### BRASS VALVE



### FAA APPROVED MODELS AVAILABLE (SEE CHART BELOW)

AGENT TYPE	HALOTRON® I					
	Anodized Aluminum				Chrome-Plated Brass	
VALVE TYPE	Nozzle				Hose & Nozzle	
DESIGN						
MODEL NUMBER	A384T	B385TS	B386T	B394TS	397	398
UL & ULC RATING	1B:C	2B:C	5B:C	5B:C	1A:10B:C	2A:10B:C
CAPACITY (LBS.)	1.4	2.5	5	5.5	11	15.5
*SHIPPING WT. (LBS.)	3.25	5.25	9.5	10	22.5	27.5
HEIGHT (IN.)	10	15.5	15.25	15	21.88	21.88
WIDTH (IN.)	3.5	6.38	5.75	5.13	9.25	9.25
DEPTH (IN.)	2.63	3	4.25	4.25	6	6
RANGE (INITIAL- FT.)	6-8	6-10	9-15	9-15	9-15	12-18
DISCHARGE TIME (SEC.)	9	9	9	9	9	14
OPTIONAL CHROME CYLINDER	Yes	Yes	Yes			
MINIMUM CONFINED SPACE REQUIREMENTS (CU. FT.)	196	350	700	770	1540	2170
NOMINAL OPERATING PRESSURE	125 PSIG	100 PSIG	100 PSIG	150 PSIG	125 PSIG	125 PSIG
FAA APPROVED MODEL				Yes	Yes	Yes
INCLUDED BRACKET	Vehicle	Vehicle	Vehicle	Aircraft	Wall	Wall

\*Shipping weight includes box.

**MANUFACTURED AND TESTED TO UL STANDARDS**  
COMPLIES WITH NFPA 10 STANDARD  
ISO-9001/ ISO-14001 CERTIFIED  
UL LISTED

**CONFORMS TO TEST STANDARDS:**  
CAN/ULC-S566 - UL 2129 &  
CAN/ULC-S508 - UL 711





# HALON 1211

**HALON 1211** is a liquefied gas, pressurized with nitrogen, which discharges as a vapor causing no cold or static shock and no impairment of the operator's vision. This "CLEAN" agent quickly penetrates difficult-to-see and hard-to-reach areas and leaves no residue. It is recommended for protection of delicate, sensitive, and expensive computers, electrical equipment, tapes and film, automotive and aircraft engines, laboratory chemicals and equipment.

Shipping Permit DOT-SP-21460

## RUGGED

- 1-Year manufacturer's warranty
- Stored-pressure design
- Dependable drawn-steel cylinders
- Durable high-gloss polyester powder paint
- All-metal valve construction
- Temperature range -65°F to 120°F

## USER-FRIENDLY

- Maximum visibility during discharge
- No electrical conductivity back to the operator
- No thermal or static shock
- QR coded and multilingual labels

## CLEAN

- Leaves no residue
- Reclaimed Halon 1211 is restored to original military specification
- Uses all recycled gas in accordance with the Montreal Protocol

## OPTION

- USCG approved with bracket listed on UL label (except model A344T)
- Chrome cylinders (see chart at left)

### RECYCLED GASEOUS AGENT CERTIFIED TO MEET MILITARY SPECIFICATIONS

AGENT TYPE	HALON 1211						
VALVE TYPE	Anodized Aluminum				Chrome-Plated Brass		
DESIGN	Nozzle		Hose	Nozzle	Hose		
MODEL NUMBER	*A344T	*C352TS	*C354TS	B355T	B369	B371	361
UL RATING	2B:C	5B:C	5B:C	10B:C	1A:10B:C	2A:40B:C	4A:80B:C
CAPACITY (LBS.)	1.25	2.5	3	5	9	13	17
**SHIPPING WT. (LBS.)	2.75	5.5	6	9.75	16.75	22	36.25
HEIGHT (IN.)	10	14.38	14.38	15.25	16.25	20.25	24
WIDTH (IN.)	3.63	4.5	6	5.75	8.5	8.5	9.75
DEPTH (IN.)	2.63	3	3	4.25	5	5	7
RANGE (INITIAL- FT.)	9-12	9-15	9-15	9-15	12-18	12-18	12-18
DISCHARGE TIME (SEC.)	10	10	12	10	9	14	22
OPTIONAL CHROME CYLINDER	Yes	Yes	Yes	Yes		Yes	
MINIMUM SPACE REQUIREMENTS (CU. FT.)	156	312	375	624	1123	1622	2120
NOMINAL OPERATING PRESSURE	100 PSIG	125 PSIG	195 PSIG	125 PSIG	195 PSIG	195 PSIG	195 PSIG
INCLUDED BRACKET	Vehicle	Aircraft	Aircraft	Vehicle	Wall	Wall	Wall

**MANUFACTURED AND TESTED TO UL STANDARDS**  
 COMPLIES WITH NFPA 10 STANDARD ISO-9001 AND ISO-14001 CERTIFIED UL LISTED

**CONFORMS TO TEST STANDARDS:**  
 UL 1093 & UL 711

\*Special valve design for aircraft installations.  
 \*\*Shipping weight includes box.



**A344T** P/N 12596     **C352TS** P/N 16578     **C354TS** P/N 16577     **B355T** P/N 16036     **B369** P/N 15385     **B371** P/N 16037     **361** P/N 01955

ALUMINUM VALVE



BRASS VALVE





# HT-SERIES



**551**  
P/N 28084

**MODEL 551** Once exclusive to the aerospace industry, the high performing HT-Series for commercial settings can safely put out fires without damaging electronic equipment, specialized machinery, or other delicate materials. That also means that there is no clean-up or down time for your operations. Industries such as health care, clean manufacturing, data processing centers, and museums would all benefit from the HT Series. This fire extinguisher is also sensitive to the environment, meeting strict environmental regulations for Global Warming Potential and Ozone Depletion Potential. With knock down power and firefighting efficiency, the HT-Series using Halotron BrX agent features a steel cylinder, durable high-gloss polyester powder paint, and all-metal valve construction. Maximum visibility during discharge, a large stainless steel pull pin, and no electronic conductivity back to the user make this extinguisher extremely easy to use.

Get **MORE FIGHTING POWER** with **LESS AGENT**



## RUGGED

- 6-Year manufacturer's warranty
- 12-year service life; non-rechargeable
- Stored-pressure design for simple inspection
- Durable, high-gloss polyester powder-coat finish
- All-metal valve construction
- Steel cylinder design
- 7-day atmospheric lifespan
- A low-GWP and very low-ODP product
- Temperature range -40°F to 120°F

## USER-FRIENDLY

- Leaves no residue
- No thermal or static shock
- Flexible hose, all-metal hose for easy use
- QR coded and multilingual labels

### MANUFACTURED AND TESTED TO UL STANDARDS

COMPLIES WITH NFPA 10 STANDARD ISO-9001 AND ISO-14001 CERTIFIED UL LISTED

### CONFORMS TO TEST STANDARDS:

CAN/ULC-S508 - UL 1219 & CAN/ULC-S566 - UL 711

## PREMIUM PRODUCT FOR HIGHLY TECHNICAL ENVIRONMENTS

AGENT TYPE	HALOTRON® BrX (2-BTP)
VALVE TYPE	Anodized Aluminum
DESIGN	Hose & Nozzle
MODEL NUMBER	<b>551</b>
UL & ULC RATING	2A:10B:C
CAPACITY (LBS.) / (KG)	12.5 / 5.67
*SHIPPING WT. (LBS.) / (KG)	20 / 9.07
HEIGHT (IN.) / (MM)	20.25 / 514.3
WIDTH (IN.) / (MM)	8.5 / 215.9
DEPTH (IN.) / (MM)	5 / 127
RANGE (INITIAL- FT. / M)	15-17 / 4.57-5.18
DISCHARGE TIME (SEC.)	16
MINIMUM CONFINED SPACE REQUIREMENTS (FT <sup>3</sup> / M <sup>3</sup> )	2,988 / 84.6
NOMINAL OPERATING PRESSURE	150 PSIG
INCLUDED BRACKET	Wall

\*Shipping weight includes box.





# CARBON DIOXIDE

**CARBON DIOXIDE** is discharged as a white cloud of “snow,” which smothers a fire by displacing oxygen. It is effective for Class B flammable liquids and is electrically non-conductive. Carbon Dioxide is a clean, non-contaminating, odorless gas.



**322NM**  
P/N 17738

◀ These DOT-approved shells have date stamped on cylinder shoulder.



**322**  
P/N 01712

**330**  
P/N 01714

**331**  
P/N 01703

**332**  
P/N 01708

## RUGGED

- 5-Year manufacturer’s warranty
- All-metal valve construction
- Rust-free aluminum cylinders
- Durable high-gloss polyester powder paint
- Temperature range -22°F to 120°F

## USER-FRIENDLY

- Meets many hospital medical equipment requirements
- Large loop stainless steel pull pin
- QR coded and multilingual labels
- Leaves no residue

## OPTION

- USCG approved with bracket listed on UL label
- Model 322NM is independently tested and approved for use in MRI facilities to 11.7 Tesla
- Model 322NM has a sanitary white paint finish (easy to clean)

## AVAILABLE IN 50- AND 100-LB. WHEELED EXTINGUISHERS

## NONMAGNETIC MODEL AVAILABLE (MODEL 322NM—TESTED TO 11.7 TESLA)

**322NM ONLY**

**MR CONDITIONAL**

**MR**

THIS EXTINGUISHER HAS BEEN TESTED TO OPERATE PROPERLY AND POSE NO SAFETY HAZARD IN AN MRI ENVIRONMENT ASSOCIATED WITH MR SYSTEMS OPERATING AT 11.7 TESLA OR LESS.

**MANUFACTURED AND TESTED TO UL STANDARDS**

COMPLIES WITH NFPA 10 STANDARD  
ISO-9001/ ISO-14001 CERTIFIED  
UL LISTED

**CONFORMS TO TEST STANDARDS:**

CAN/ULC-S503 - UL 154 &  
CAN/ULC-S508 - UL 711

AGENT TYPE	CARBON DIOXIDE				
VALVE TYPE	Chrome-Plated Brass				
DESIGN	Tube & Horn		Hose & Horn		
<b>MODEL NUMBER</b>	<b>322</b>	<b>322NM</b>	<b>330</b>	<b>331</b>	<b>332</b>
<b>UL &amp; ULC RATING</b>	5B:C	5B:C	10B:C	10B:C	10B:C
<b>CAPACITY (LBS.)</b>	5	5	10	15	20
<b>*SHIPPING WT. (LBS.)</b>	13.1	13.1	28.25	37.75	50.75
<b>HEIGHT (IN.)</b>	17.75	17.75	24	30	30
<b>WIDTH (IN.)</b>	8.25	8.25	12	12	13
<b>DEPTH (IN.)</b>	5.25	5.25	7	7	8
<b>RANGE (INITIAL- FT.)</b>	3-8	3-8	3-8	3-8	3-8
<b>DISCHARGE TIME (SEC.)</b>	9	9	11	14.5	19.2
<b>INCLUDED BRACKET</b>	Wall	NM Wall	Wall	Wall	Wall

\*Shipping weight includes box.



# ABC DRY CHEMICAL



**ABC** or **MULTI-PURPOSE** extinguishers utilize a specially fluidized and siliconized mono ammonium phosphate dry chemical. It chemically insulates Class A fires by melting at approximately 350°F and coats surface where it is applied. It smothers and breaks the chain reaction of Class B fires and will not conduct electricity back to the operator.



**B424**  
P/N 15267

**B461**  
P/N 15386

**B441**  
P/N 14966

**423**  
P/N 01010

## BRASS VALVE



**B417T**  
P/N 15217

**B500T**  
P/N 15310

**B402T**  
P/N 15281

**B443**  
P/N 15393

**B456**  
P/N 14967

**A411**  
P/N 11213

## ALUMINUM VALVE



**MANUFACTURED AND TESTED TO UL STANDARDS**  
COMPLIES WITH NFPA 10 STANDARD  
ISO-9001/ISO-14001 CERTIFIED UL LISTED

## RUGGED

- 6-Year manufacturer's warranty
- Stored-pressure design
- Dependable drawn-steel cylinders
- Durable high-gloss polyester powder paint
- All-metal valve construction

### BRASS VALVE—Heavy Duty

- Chrome-plated brass valve body
- Stainless steel handle & lever

### ALUMINUM VALVE—Light to Medium Duty

- Anodized aluminum valve body
- Anodized aluminum handle & lever

- Temperature range -65°F to 120°F

## USER-FRIENDLY

- Easy and economical to maintain and service
- QR coded and multilingual labels OPTION
- USCG approved with bracket listed on UL label
- Chrome cylinders (see chart below)

AVAILABLE IN WHEELED EXTINGUISHERS

## LARGEST SELECTION OF EXTINGUISHER SIZES AND OPTIONS AVAILABLE

AGENT TYPE	ABC DRY CHEMICAL									
	Anodized Aluminum						Chrome-Plated Brass			
VALVE TYPE	Nozzle						Hose & Nozzle			
DESIGN	Hose & Nozzle						Hose & Nozzle			
MODEL NUMBER	B417T	B500/B500T	B402/B402T	B443	B456	A411	B424	B461	B441	423
UL & ULC RATING	1A:10B:C	2A:10B:C	3A:40B:C	3A:40B:C	4A:80B:C	10A:120B:C	2A:10B:C	3A:40B:C	4A:80B:C	10A:120B:C
CAPACITY (LBS.)	2.5	5	5	6	10	20	5	6	10	20
*SHIPPING WT. (LBS.)	5.25/5.5	9.25/9.5	9.25/9.5	12.75	18	36.5	10.5	14	19.5	38
HEIGHT (IN.)	15.25	15.25	15.25	16	20	24	15.5	16.25	20.5	24
WIDTH (IN.)	5.5	7.25	7.25	7.75	7.75	10.25	8	8.5	8.75	10.25
DEPTH (IN.)	3	4.25	4.25	5	5	7	4.25	5	5	7
RANGE (INITIAL- FT.)	9-15	12-18	12-18	15-21	15-21	15-21	12-18	15-21	15-21	15-21
DISCHARGE TIME (SEC.)	9	14	14	14.5	22	30	14	14	22	30
OPTIONAL CHROME CYLINDER	Yes	Yes	Yes		Yes			Yes	Yes	
NOMINAL OPERATING PRESSURE	195 PSIG	195 PSIG	195 PSIG	195 PSIG	195 PSIG	195 PSIG	195 PSIG	195 PSIG	195 PSIG	195 PSIG
INCLUDED BRACKET	Vehicle	Wall/Vehicle		Wall			Wall			

\*Shipping weight includes box.







# PURPLE K DRY CHEMICAL

## RUGGED

- 6-Year manufacturer's warranty
- Stored-pressure design
- Dependable drawn-steel cylinders
- Durable high-gloss polyester powder paint
- All-metal valve construction

### BRASS VALVE—Heavy Duty

- Chrome-plated brass valve body
- Stainless steel handle & lever

### ALUMINUM VALVE—Light to Medium Duty

- Anodized aluminum valve body
- Anodized aluminum handle & lever
- Temperature range -65°F to 120°F

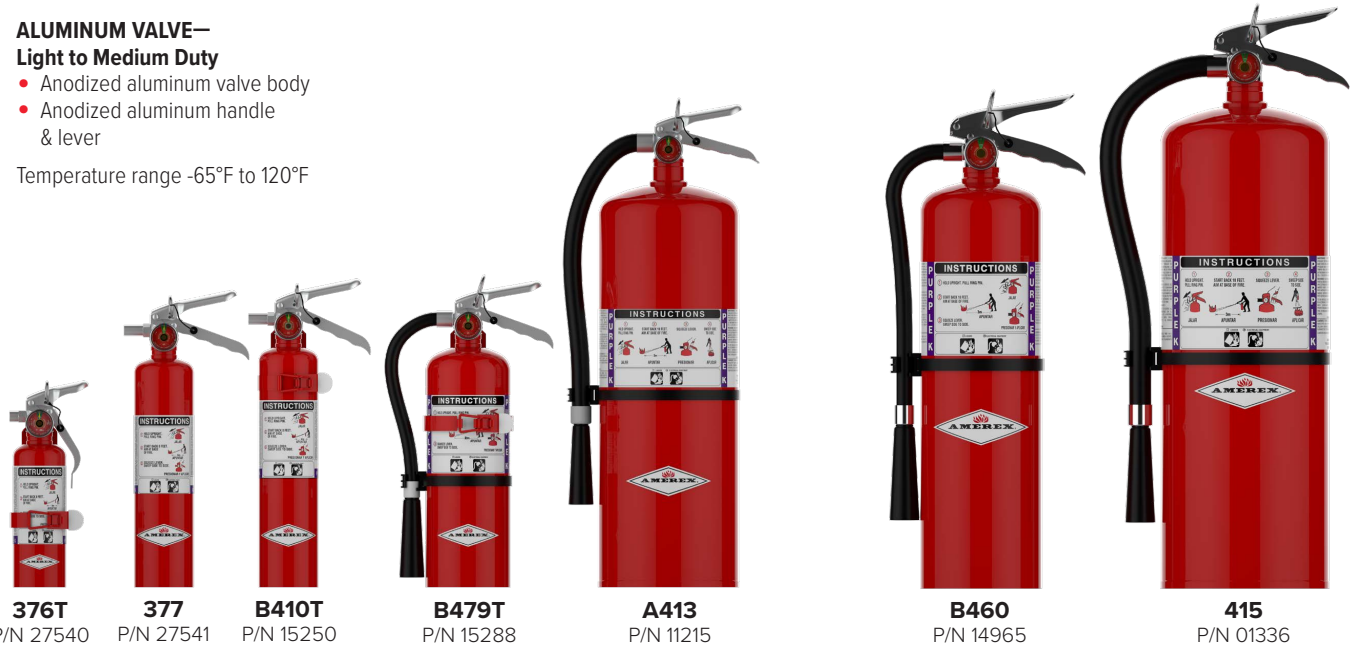
## USER-FRIENDLY

- Easy and economical to maintain and service
- QR coded and multilingual labels

## OPTION

- USCG approved with bracket listed on UL label
- Chrome cylinders (see chart below)

**PURPLE K** extinguishers contain specially fluidized and siliconized potassium bicarbonate dry chemical that is particularly effective on Class B flammable liquids, pressurized gases, and Class C electrical fires. It is electrically nonconductive. **PURPLE K** has been the choice of oil, gas, chemical, and utilities industries as the preferred fire-fighting agent.



**376T**  
P/N 27540

**377**  
P/N 27541

**B410T**  
P/N 15250

**B479T**  
P/N 15288

**A413**  
P/N 11215

**B460**  
P/N 14965

**415**  
P/N 01336

### ALUMINUM VALVE

### BRASS VALVE

MANUFACTURED AND TESTED TO ANSI/UL STANDARDS  
COMPLIES WITH NFPA 10 STANDARD  
ISO-9001/ ISO-14001 CERTIFIED UL LISTED

CONFORMS TO TEST STANDARDS:  
CAN/ULC-S504 - UL 299 &  
CAN/ULC-S508 - UL 711



AVAILABLE IN WHEELED EXTINGUISHERS

## LARGEST SELECTION OF EXTINGUISHER SIZES AND OPTIONS AVAILABLE

AGENT TYPE	PURPLE K DRY CHEMICAL						
VALVE TYPE	Anodized Aluminum					Chrome-Plated Brass	
DESIGN	Nozzle			Hose & Nozzle			
MODEL NUMBER	376T	377	B410T	B479/B479T	A413	B460	415
UL & ULC RATING	2B:C	10B:C	10B:C	30B:C	120B:C	80B:C	120B:C
CAPACITY (LBS.)	1	2.5	2.5	5	20	10	20
*SHIPPING WT. (LBS.)	2.25	5.5	5.5	9.5	36.4	19.5	38
HEIGHT (IN.)	10.25	14.79	15.5	15.25	24	20.5	24
WIDTH (IN.)	3.94	5.5	5.5	7.25	10.25	8.75	10.25
DEPTH (IN.)	2.63	3	3	4.25	7	5	7
RANGE (INITIAL- FT.)	5-8	5-8	9-15	12-18	15-21	15-21	15-21
DISCHARGE TIME (SEC.)	8.5	8.5	9.5	12	28	22	28
OPTIONAL CHROME CYLINDER	Yes		Yes	Yes		Yes	
NOMINAL OPERATING PRESSURE	125 PSIG	195 PSIG	195 PSIG	195 PSIG	195 PSIG	195 PSIG	195 PSIG
INCLUDED BRACKET	Vehicle	Wall	Vehicle	Wall/Vehicle		Wall	

\*Shipping weight includes box.





# LEARN MORE ABOUT OUR SPECIALIZED EXTINGUISHERS AND SUPPRESSION SYSTEMS



Wheeled Units



Z-Series



BrX



Chrome Extinguishers



Mining Industry Systems



Kitchen Protection Systems



Waste Industry Systems



Portable & Wheeled Extinguisher Parts Book

# ★ CLASS D



**B570**  
P/N 16882

**MODEL B570** contains a special blended sodium-chloride-based dry powder extinguishing agent. Heat from the fire causes it to cake and form a crust excluding air and dissipating heat from burning metal. Metal fires involving magnesium, sodium, potassium, and sodium-potassium alloys can be successfully extinguished with this extinguisher. There is data showing that zirconium, uranium, titanium, and powdered aluminum fires can be controlled and extinguished with this unique extinguisher.

### AVAILABLE IN 150-LB. WHEELED EXTINGUISHER

HAZARD	Fire Ratings Approximate Hazard Size	
	Area FT <sup>2</sup> (m <sup>2</sup> )	Quantity of Metal LBS (KG)
Magnesium chips	4 (.37)	6 (2.72)
Sodium spill	5 (.46)	5 (2.26)
– Depth over ½ inch (1.3 CM)	3 (.27)	6 (2.72)
Potassium spill	5 (.46)	5 (2.26)
– Depth over ½ inch (1.3 CM)	3 (.27)	6 (2.72)
Sodium potassium alloy spill	3 (.27)	2 (.9)

The Amerex “soft flow” extension applicator is particularly suited for fighting **CLASS D** fires. It allows the operator to stand away from the extreme heat and toxic fumes caused by burning material. The easily controlled, even discharge provides a non-dispersing application of the agent. The extension applicator may be quickly detached to provide a straight stream of chemical where greater range is required.

### RUGGED

- 6-Year manufacturer’s warranty
- Stored-pressure design
- Dependable drawn-steel cylinders
- Class D color-coded paint finish
- All-metal valve construction
- Temperature range -40°F to 120°F

### USER-FRIENDLY

- Unique “soft flow” extension applicator plus built-in long-range nozzle
- Large loop stainless steel pull pin
- QR coded and multilingual labels

### OPTION

- Model 859 dolly cart provides for easy transport



**C571**  
P/N 27576

**MODEL C571** contains a copper extinguishing agent specially developed by the U.S. Navy for fighting lithium and lithium alloy fires. The copper compound smothers the fire and provides an excellent heat sink for dissipating heat. Copper powder has been found to be superior to all other known fire extinguishing agents for lithium metal fires. **Not recommended for lithium-ion battery fires.**

### AVAILABLE IN 250-LB. WHEELED EXTINGUISHER

**Extinguishing Capacity:**  
4 ft.<sup>2</sup> and/or approximately 5 lbs. of lithium metal

**\*MODEL C571** Due to the density of copper, extra agent is added to achieve 30 lbs. of agent discharge at a 45° angle.

**THE ACTUAL EXTINGUISHING RECHARGE AGENT QUANTITY IS 41½ LBS.**



MANUFACTURED AND TESTED TO UL STANDARDS  
COMPLIES WITH NFPA 10 STANDARD  
ISO-9001/ISO-14001 CERTIFIED  
FM APPROVED

## FOR COMBUSTIBLE METAL FIRES

AGENT TYPE	SODIUM CHLORIDE	COPPER
VALVE TYPE	Chrome-Plated Brass	
DESIGN	Hose & Horn or Wand applicator	
MODEL NUMBER	<b>B570</b>	<b>C571</b>
CAPACITY (LBS.)	30	*30
*SHIPPING WT. (LBS.)	53	59
HEIGHT (IN.)	35	34
WIDTH (IN.)	13	11
DEPTH (IN.)	8	7
RANGE (INITIAL- FT.)	3-6	3-6
DISCHARGE TIME (SEC.)	24	24
FM APPROVED	Yes	Yes
NOMINAL OPERATING PRESSURE	195 PSIG	195 PSIG
INCLUDED BRACKET	Wall	Wall

\*Shipping weight includes box.





# Z-SERIES HIGH PERFORMANCE



**Z-Series** extinguishers are the ultimate choice in fire extinguishers for high hazard, frequent use, and extreme environment applications. They are economical—less initial cost, lower maintenance costs, and greater reliability than cartridge-operated extinguishers. Amerex Z-Series extinguishers are available with a proprietary, zinc-enriched coating that resists corrosion for up to 12 years in severely salt-contaminated environments.

## RUGGED

- 12-Year manufacturer's warranty
- Zinc-enriched coating
- All-metal valve construction
- Chrome-plated brass gauge guards
- Protective rubber foot rings
- Superior vertical and horizontal range
- Higher operating pressure
- Temperature range -65°F to 120°F

## AGENTS

- ABC or Purple K

## USER-FRIENDLY

- Wide grip allows clearance for gloved hands
- Large loop stainless steel pull pin
- QR coded and multilingual labels

## FAST FLOW

- High flow rate
- Fast discharge
- Quicker knockdown
- More operator protection

## COMPLIANCE FLOW

- Long range
- Highest UL ratings

## OPTION

- USCG approved with bracket listed on UL label
- Hot-dip galvanized USCG brackets available



## FAST FLOW

- 790** P/N 26903
- 791** P/N 26904
- 792** P/N 26905
- 793** P/N 26908
- 794** P/N 26909
- 795** P/N 26910
- 796** P/N 26911

## COMPLIANCE FLOW

- 711** P/N 27940
- 712** P/N 28173
- 713** P/N 26912
- 714** P/N 26913
- 715** P/N 26914
- 716** P/N 26915
- 717** P/N 26916
- 718** P/N 26917



AVAILABLE IN 125-AND 250-LB. WHEELED EXTINGUISHERS

**MANUFACTURED AND TESTED TO UL STANDARDS**  
COMPLIES WITH NFPA 10 STANDARD  
ISO-9001 AND ISO-14001 CERTIFIED UL LISTED

**CONFORMS TO TEST STANDARDS:**  
CAN/ULC-S504 - UL 299 &  
CAN/ULC-S508 - UL 711

## AFFORDABLE AND EASY TO MAINTAIN

AGENT TYPE	ABC DRY CHEMICAL				PURPLE K DRY CHEMICAL				ABC DRY CHEMICAL				PURPLE K DRY CHEMICAL			
PERFORMANCE	Fast Flow								Compliance Flow							
VALVE TYPE	Chrome-Plated Brass with Gauge Guard															
DESIGN	Hose & Nozzle															
MODEL NUMBER	<b>790</b>	<b>791</b>	<b>792</b>	<b>793</b>	<b>794</b>	<b>795</b>	<b>796</b>	<b>711</b>	<b>713</b>	<b>714</b>	<b>715</b>	<b>712</b>	<b>716</b>	<b>717</b>	<b>718</b>	
UL & ULC RATING	2A:40B:C	4A:40B:C	4A:40B:C	40B:C	40B:C	20B:C	40B:C	4A:80B:C	4A:80B:C	10A:120B:C	10A:160B:C	80B:C	80B:C	120B:C	160B:C	
CAPACITY (LBS. / KG)	13.2 / 6	20 / 9	30 / 13.6	13.2 / 6	20 / 9	20 / 9	30 / 13.6	10 / 4.5	13.2 / 6	20 / 9	30 / 13.6	10 / 4.5	13.2 / 6	20 / 9	30 / 13.6	
*SHIPPING WT. (LBS.)	29	40	56	29	40	40	56	19.5	29	40	56	19.5	29	40	56	
HEIGHT (IN.)	17.5	24.75	26.5	17.5	24.75	24.75	26.5	20.5	17.5	24.75	26.5	20.5	17.5	24.75	26.5	
WIDTH (IN.)	10.5	10.5	11	10.5	10.5	10.5	11	8.25	10.5	10.5	11	8.25	10.5	10.5	11	
DEPTH (IN.)	7	7	8	7	7	7	8	5	7	7	8	5	7	7	8	
RANGE (INITIAL- FT.)	40-50				40-50				15-21		40-50		15-21		40-50	
DISCHARGE TIME (SEC.)	15	18	21	15	15	10	16	22	22	30	34	22	22	29	34	
AVERAGE DISCHARGE RATE (LBS. / SEC.)	.94	1.20	1.60	.94	1.44	2.00	1.88	0.5	.59	.65	.95	0.45	.61	.67	.81	
NOMINAL OPERATING PRESSURE	240 PSIG	240 PSIG	240 PSIG	240 PSIG	240 PSIG	240 PSIG	240 PSIG	195 PSIG	240 PSIG	240 PSIG	240 PSIG	195 PSIG	240 PSIG	240 PSIG	240 PSIG	
INCLUDED BRACKET	Wall				Wall				Wall				Wall			

\*Shipping weight includes box.







# HIGH-FLOW DRY CHEMICAL

**HIGH-FLOW** portable fire extinguishers are for applications where discharge rates exceeding one pound per second are required as specified in NFPA 10. These extinguishers utilize the same hardware and are manufactured to the same UL specifications as Amerex compliance-rated products.



**(10 LBS)**    **(20 LBS)**  
**720**        **722**  
P/N 20895    P/N 20899

**(10 LBS)**    **(20 LBS)**  
**760**        **762**  
P/N 20901    P/N 20905



## RUGGED

- 6-Year manufacturer's warranty
  - Stored-pressure design
  - Dependable drawn-steel cylinders
  - Durable high-gloss polyester powder paint
  - All-metal valve construction
- BRASS VALVE—Heavy Duty**
- Chrome-plated brass valve body
  - Stainless steel handle & lever
- Twice the flow rate of standard models
  - Meets DOT requirements
  - Temperature range -65°F to 120°F

## USER-FRIENDLY

- Easy and economical to maintain and service
- Large loop stainless steel pull pin
- QR coded and multilingual labels

## OPTION

- USCG approved with bracket listed on UL label
- ABC or Purple K Chemical

### HIGH-FLOW—EXCEEDS 1 LB. PER SECOND DISCHARGE RATE

AGENT TYPE	ABC	ABC	PURPLE K	PURPLE K
MODEL NUMBER	<b>720</b>	<b>760</b>	<b>722</b>	<b>762</b>
DESIGN	Hose & Nozzle		Hose & Nozzle	
CAPACITY (LBS.)	10	20	10	20
UL RATING	1A:20B:C	4A:60B:C	20B:C	60B:C
*SHIPPING WEIGHT (LBS.)	19.5	38	19.5	38
DISCHARGE TIME (SEC.)	10	19	12	20
DISCHARGE RATE (LBS./SEC.)	1.22	1.14	1.15	1.08
DISCHARGE RANGE (FT.)	15-25	15-25	15-25	15-25
HEIGHT (IN.)	20 ½	24	20½	24
WIDTH (IN.)	8 ¾	10 ¼	8¾	10¼
DEPTH (IN.)	5	7	5	7
NOMINAL OPERATING PRESSURE	195 PSIG	195 PSIG	195 PSIG	195 PSIG
INCLUDED BRACKET	Wall		Wall	

\*Shipping weight includes box.

**MANUFACTURED AND TESTED TO UL STANDARDS**  
COMPLIES WITH NFPA 10 STANDARD  
ISO-9001/ISO-14001 CERTIFIED  
UL LISTED

**CONFORMS TO TEST STANDARDS:**  
CAN/ULC-S504 - UL 299 &  
CAN/ULC-S508 - UL 711



# BRACKETS

All Amerex brackets meet the latest UL salt spray requirements (240 hrs. @ 20% salt solution—ASTM B117). 1-year manufacturer's warranty applies to all brackets. Please see *Amerex Parts Catalog* for bracket details.

## Wall-Hanger Brackets



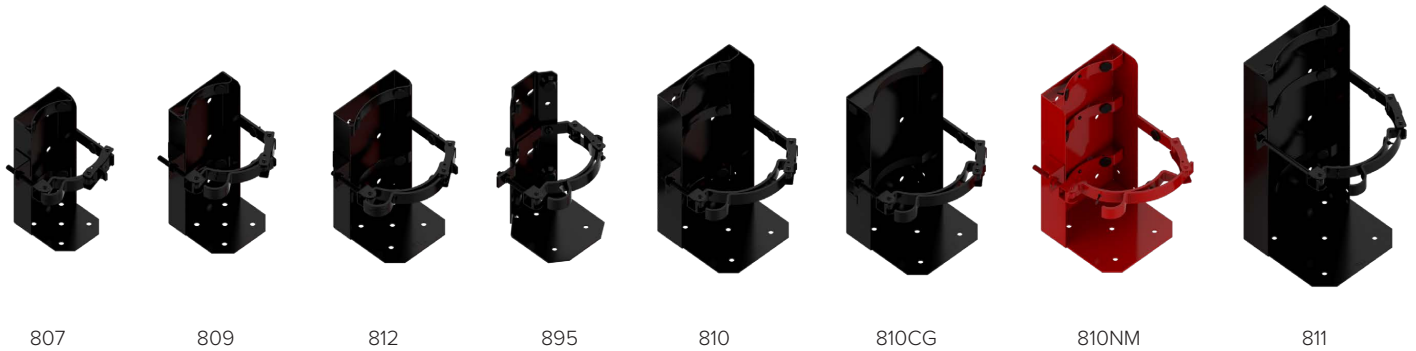
## 6- & 10-lb. Wall-Strap Type



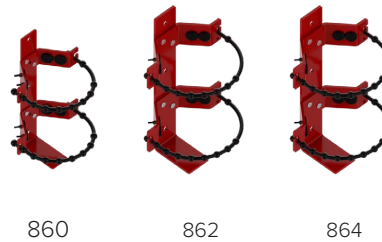
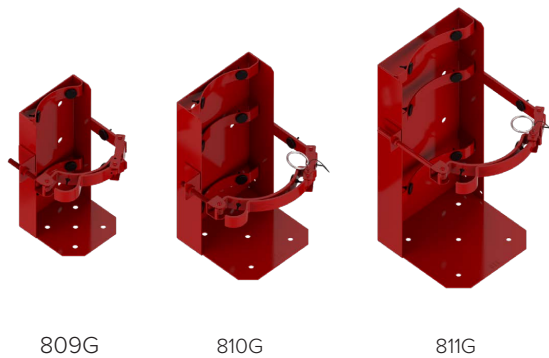
## Vehicle/Marine/Aviation Brackets



## Heavy-Duty Box-Type Vehicle Brackets (Red Brackets are Galvanized)



## Heavy-Duty Rubber-Strap Brackets



## Heavy-Duty Dolly Cart



For a full list of our available brackets, please visit [www.amerex-fire.com](http://www.amerex-fire.com).

# EXTINGUISHERS AT-A-GLANCE

AGENT TYPE	SIZE (CAPACITY)	MODEL	CYLINDER DIAMETER (INCH)	INCLUDED BRACKET	USCG BRACKET	OPTIONAL BRACKETS	RUBBER STRAP BRACKETS	859 DOLLY OPTION
WATER	2.5 Gal.	240	7	816 Wall	N/A	810	864	Yes
WET CHEMICAL	6 Liter	C260	7	816 Wall		810	N/A	
	2.5 Gal.	C262	7	816 Wall		810	864	Yes
	6 Liter	C260CG	7	816 Wall	810CG	N/A	N/A	
	2.5 Gal.	C 262CG	7	816 Wall	810CG	N/A	N/A	
WATER MIST	1.75 Gal.	C270	7	816SS Wall	N/A	810, 810NM	N/A	
	2.5 Gal.	C272	7	816SS Wall	N/A	810, 810NM	N/A	
HALOTRON® BRX	1.92 LB.	337TS	3.25	899TS				
	3.55 LB.	339	3.5	893TS				
	3.75 LB.	347TS	3.25	898TS				
	3.75 LB.	349TS	3.25	898TS				
	12.5 LB.	351	5	801 Wall		809		
HALOTRON® I	1.4 LB.	A384T	2.63	845 Vehicle	N/A	845S	N/A	
	2.5 LB.	B385TS	3	817S Vehicle	N/A	817S	860	
	5 LB.	B386T	4.25	818 Vehicle	818, 821, 861H	818S, 821, 821S, 807	860	
	5.5 LB.	B394TS	4.25	818S Aircraft	N/A	818S, 821, 821S, 807	860	
	11 LB.	397	6	802 Wall	812	812	N/A	
	15.5 LB.	398	6	802 Wall	812	812	N/A	
HALON 1211	1.25 LB.	A344T	2.63	845 Vehicle	N/A	845S	N/A	
	2.5 LB.	C352TS	3	817S Aircraft	817	N/A	860	
	3 LB.	C354TS	3	817S Aircraft	817	N/A	860	
	5 LB.	B355T	4.25	818 V	818, 821, 861H	818S, 821, 821S, 807	860	
	9 LB.	B369	5	801 Wall	808, 809	808, 809, 846, 889HB, 895	862	
	13 LB.	B371	5	816 Wall	809	846, 809, 846, 889HB, 895	862	
	17 LB.	361	7	803 Wall	810	810	864	Yes
HT SERIES	12.5	551	5	801 Wall		809		
CARBON DIOXIDE	5 LB.	322	5.25	801 Wall	809	809	862	
	5 LB.	322NM	5.25	801SS Wall	N/A	N/A	N/A	
	10 LB.	330	7	802 Wall	810	810	N/A	
	15 LB.	331	7	802 Wall	810	810	864	Yes
	20 LB.	332	8	20# CO2 Wall	811	811	864	Yes
ABC DRY CHEMICAL	2.5 LB.	B417 / B417T	3	817VM Wall / 817	817	817S	860	
	5 LB.	B402 / B402T	4.25	888 Wall / 818	818, 821, 861H	818S, 821, 821S, 807	860	
	5 LB.	B500 / B500T	4.25	888 Wall / 818	818, 821, 861H	818S, 821, 821S, 807	860	
	5 LB.	B424	4.25	888 Wall	821, 861H	821, 821S, 807	860	
	6 LB.	B443	5	801 Wall	808, 809, 895	808, 809, 889HB, 895	862	
	6 LB.	B461	5	801 Wall	808, 809, 895	808, 809, 846, 889, 895	862	
	10 LB.	B456	5	801 Wall	809, 895	808, 809, 846, 889, 889HB, 895	862	
	10 LB.	B441	5	816 Wall	809, 895	808, 809, 889HB, 895, 846	862	
	20 LB.	A411	7	803 Wall	810	810	864	Yes
20 LB.	423	7	803 Wall	810	810	864	Yes	
PURPLE K DRY CHEMICAL	1 LB.	376T	2.63	846				
	2.5 LB.	377	3					
	2.5 LB.	B410T	3	817	817	817S	860	
	5 LB.	B479 / B479T	4.25	888 Wall / 818 VM	818, 821, 861H	807, 818S, 821, 821S, 861H	860	
	10 LB.	B460	5	816 Wall	809, 895	808, 809, 846, 889HB, 895	862	
	20 LB.	A413	7	803 Wall	810	810	864	Yes
	20 LB.	415	7	803 Wall	810	810	864	Yes
CLASS D DRY POWDER	30 LB.	B570	8	803 Wall	N/A	811	864	Yes
	30 LB.	C571	7	877 Wall	810	810	864	Yes
Z-SERIES HIGH PERFORMANCE	10 LB. (4.5 KG)	711, 712	5	877 Wall	809, 809G	809, 809G	N/A	
	13.2 LB. (6 KG)	713, 716, 790, 793	7	877 Wall	810 & 810G	810 & 810G	N/A	
	20 LB. (9 KG)	714, 717, 791, 794, 795	7	877 Wall	810 & 810G	810 & 810G	864	Yes
	30 LB. (13.6 KG)	715, 718, 792, 796	8	876 Wall	811 & 811G	811 & 811G	864	Yes
HIGH-FLOW DRY CHEMICAL	10 LB.	720, 722	5	816 Wall	809, 895	808, 809, 889HB, 895, 846	862	
	20 LB.	760, 762	7	803 Wall	810	810	864	Yes





**Quality is Behind the Diamond®**



ISO 9001–Quality  
ISO 14001–Environmental  
OHSAS 18001–Safety

**CERTIFIED**

Amerex Corporation makes every attempt possible to provide the most current and updated information. Information contained within this brochure is deemed to be as accurate as possible as of the printing date. Routine changes to products, codes and standards, and warranties subsequent to this printing will supersede printed information. Please contact Amerex Corporation for any revisions, updates, or product changes.

© Copyright Amerex Corporation 2024  
Volume 24, Issue 1

7595 Gadsden Hwy.  
P.O. Box 81  
Trussville, AL 35173  
Ph (205) 655-3271



Amerex Corporation



amerex\_corporation



@Amerex\_Corp



Amerex Corporation



Amerex

[www.amerex-fire.com](http://www.amerex-fire.com)  
[customer.service@amerex-fire.com](mailto:customer.service@amerex-fire.com)  
[intl.sales@amerex-fire.com](mailto:intl.sales@amerex-fire.com)